

PolaNt-x MF

High-precision multi-frequency GNSS antenna



Mapping



Survey & GIS



Marine



Automation



Precision Agriculture



PolaNt-x MF is a lightweight high-precision antenna for geodetic, survey and machine control applications. This high-gain antenna incorporates low-noise amplifiers, enabling multi-frequency GNSS signal reception and are built into a rugged and environmentally sealed housing.

The PolaNt-x MF antennas have an optimised ground plane design, providing excellent multipath characteristics.

Enabling the tracking of the upper and lower (1525-1610 MHz, 1160-1252 MHz) GNSS signals, the PolaNt-x MF is ideal for high precision applications.

KEY FEATURES

- ▶ **Multi-constellation tracking: GPS, Galileo, GLONASS, BeiDou, NavIC and QZSS**
- ▶ **Reception of Inmarsat L-Band signals compatible with correction services**
- ▶ **Superior multipath characteristics**
- ▶ **Ruggedized design**

PolaNt-x MF

FEATURES

Signals

| | |
|--------------|--------------|
| L-Band (MSS) | |
| GPS | L1, L2, L5 |
| GLONASS | L1, L2, L3 |
| Beidou | B1, B2 |
| Galileo | E1, E5a, E5b |
| SBAS | L1, L5 |
| NavIC | L5 |
| QZSS | L1, L2, L5 |

Frequencies

1525-1610 MHz
1160-1252 MHz

Polarisation

RHCP

Axial Ratio

3 db Max

Radiation Coverage

| | |
|---------------|-----------|
| Zenith | 6.0 dBic |
| 15° elevation | -2.0 dBic |
| 10° elevation | -3.0 dBic |
| 5° elevation | -4.0 dBic |
| Horizon | -5.0 dBic |

Amplifier

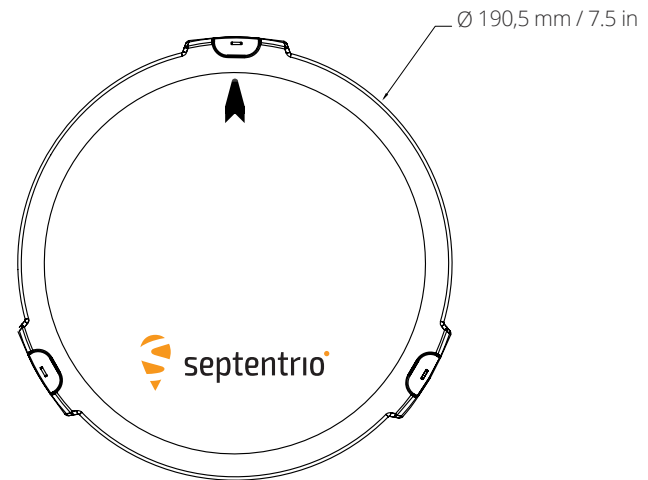
| | |
|---------------|---------------|
| Gain | 39 ± 2 dB |
| Noise Figure | 2.6 dB max |
| Input Voltage | +3 to +15 VDC |
| Current | 45 mA (typ) |
| Impedance | 50 Ω |
| VSWR | ≤ 2.0:1 |

Physical and Environmental

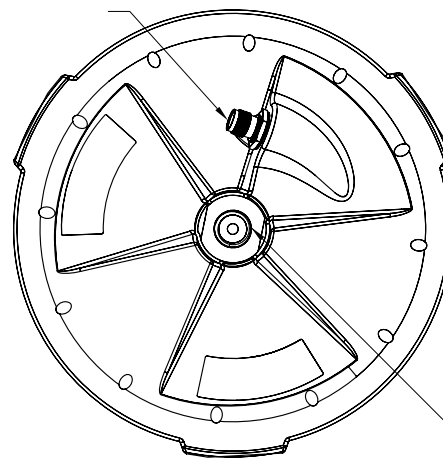
| | |
|---------------|--------------------------------------|
| Finish | Weatherproof polymer |
| Weight | 450 g / 0.99 lbs |
| Diameter | 190 mm / 7.50 in |
| Connector | TNC Female |
| Temperature | -50° C to +70° C -58° F to 158° F |
| Certification | CE, RoHS and WEEE |



DIMENSIONS



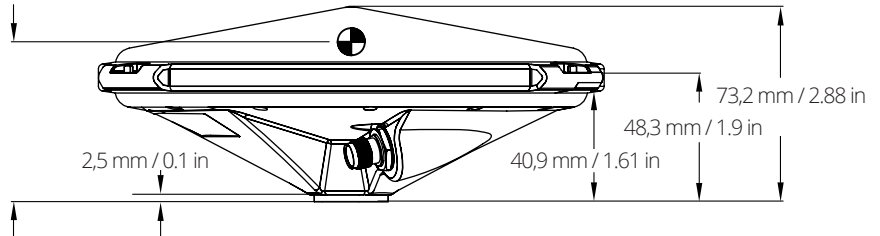
TNCF CONNECTOR



5/8-11 UNC-2B ADAPTER
PERMANENTLY INSTALLED

PHASE CENTER OFFSETS

L1 = 57,8 mm / 2.28 in
L2 = 65,9 mm / 2.59 in



EMEA (HQ)

Greenhill Campus
Interleuvenlaan 15i
3001 Leuven, Belgium

+32 16 30 08 00

septentrio.com

Americas

Suite 200
23848 Hawthorne Blvd
Torrance, CA 90505, USA

+1 310 541 8139

sales@septentrio.com

Asia-Pacific

Shanghai, China
Yokohama, Japan
Seoul, Korea

