

i PREVIOUSLY KNOWN AS THE SLR400NG



RECEIVERS

R400NG NETWORK AIS RECEIVER WITH ETHERNET, GPS & USB

SKU: 001-1044

[View Online >](#)

FEATURES

- **Industry Grade Dual Channel AIS Receiver**
- **Ideal for land-based monitoring of sea traffic**
- **Ethernet network connectivity**
- **Internal GPS Receiver**
- **USB Connectivity**
- **Ideal for feeding vessel tracking data to a website or a vessel monitoring server**
- **Rugged plastic housing**
- **Supplied complete with software**
- **Quick and easy to configure and install**
- **Universal AC power supply**

OVERVIEW

The R400NG is an AIS receiver unit with built in GPS receiver, Ethernet interface and USB port is designed specifically for coastal monitoring of AIS equipped vessels.

Connected to an Ethernet Network and directly or via a Router to a PC running compatible software, AIS data transmitted from ships within range can be displayed on the screen giving a visual interpretation of the traffic within VHF range. The unit can also be mounted at a remote location and AIS data sent over the Internet to a fixed IP address for use on a dedicated server.

The R400NG has been specifically designed for use by the professional market and uses Comar's well proven and internationally specified high sensitivity dual channel parallel receiver.

APPLICATIONS

- For shoreside monitoring of shipping by Government bodies
- Managing traffic at local port approaches
- Assisting in Search and Rescue operations
- Locating ships for local tug/supply operators
- Analysing shipping in specific areas
- Monitoring fishing zones
- Feeding data to AIS vessel tracking websites

RELATED PRODUCTS

[R400N](#) - Network AIS receiver with Ethernet Output

[R500Ni](#) - Intelligent Network AIS receiver with WIFI

[G500Ni](#) - Intelligent GPS receiver with WIFI

[AV200](#) - Base Station Antenna with Ground Plane

[AV300](#) - Fibreglass VHF Antenna

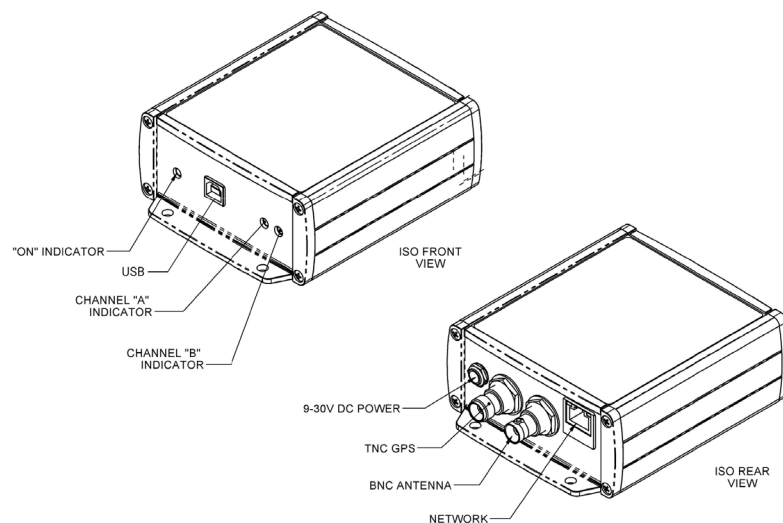
[AV400](#) - Commercial Antenna for AIS

[AG100](#) - GPS Antenna

PHYSICAL	
Weight:	600g
Dimensions:	L 130 mm W 105 mm D 46 mm
Mounting:	To flat surface with case brackets
Connections:	RJ45 Ethernet 10 / 100 Base-T BNC Coaxial to AIS VHF antenna TNC Coaxial to GPS antenna USB 2.0 Port: Type B (Cable Supplied)
Construction:	Aluminium, ABS End Caps
Finish:	Black Fine Texture Paint, Grey ABS

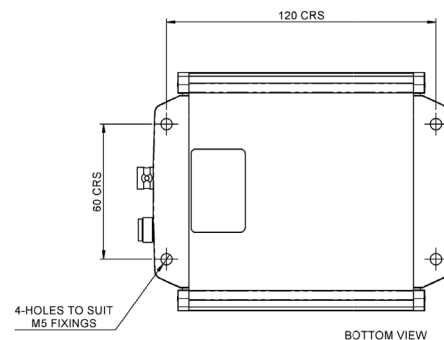
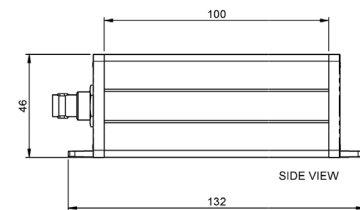
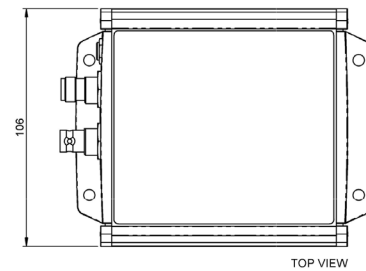
ELECTRICAL	
Power Supply:	12 V dc 3 W nominal (9-30 V dc)
Antenna Impedance:	50 Ω
Network protocols:	TCP/IP, UDP/IP, ARP, ICMP, TFTP, TELNET, DHCP, BOOTP, HTTP and AUTOIP
Data Output:	NMEA 0183; 38,400 Baud; VDM output message

OPERATIONAL	
Frequency	Channel A 161.975 MHz Channel B 162.025 MHz
Sensitivity:	< -112 dBm
Display:	3 Indicator LEDs (Ch A; Ch B; ON)
Data Types Received:	Name of Vessel; MMSI Number; Position; Speed (SOG); Course (COG); Type of Vessel; Call Sign; Heading; Rate of Turn; Navigational Status; Vessel Dimensions; Destination



ENVIRONMENTAL	
IP Rating:	IP40
Operating temp:	-15°C to +55°C
Compass:	Safe Distance 50 cm

ADDITIONAL	
Supplied:	R400NG receiver
Supplied:	Universal 100-250 V ac to 12 V dc Power Supply
Supplied:	Installation manual
Supplied:	Network configuration program
Supplied:	Ethernet to com port utility
Supplied:	AIS viewing program
Supplied:	USB to virtual com port utility
Supplied:	Antenna Connector Adaptor
Supplied:	2 m Ethernet cable



Copyright © 2019 Comar Systems Ltd. - R400NG Datasheet v06r05

Vittlefields Technology Centre, Forest Road, Newport, Isle of Wight, United Kingdom. PO304LY
Comar Systems Ltd. reserves the right to make changes to its products and specifications without prior notice.