

L3C-400-MICRO

Ultra-Miniature Colour Camera

Specialised underwater viewing in restricted spaces

The Teledyne Bowtech L3C-400-MICRO is the tiniest camera in our range measuring just 10.8 mm outer diameter. It is a miniature underwater camera with integral LEDs.

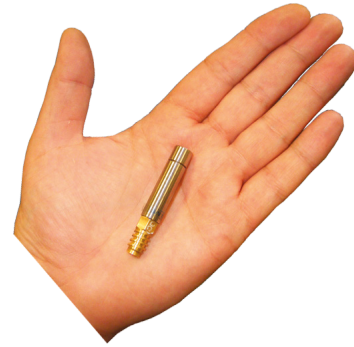
The L3C-400-MICRO provides an extremely compact solution to specialised underwater viewing and observation in restricted spaces.

The cameras are manufactured with high quality grade 5 Titanium housing and Sapphire window, rated to 6,000 m operating depth. The camera is fitted with a fixed focus lens giving a diagonal field of view of 45° in water.

The image quality that emanates from this micro camera is astounding and will permit access to underwater viewing tasks never previously contemplated.

A right angled viewing adaptor can also be fitted which provides additional viewing options in restricted spaces (dimensions increase).

The camera can also be supplied with a Helium relief valve fitted for use in saturation diving applications (dimensions increase)



Applications: ROV/AUV, Diver

PRODUCT FEATURES AND BENEFITS

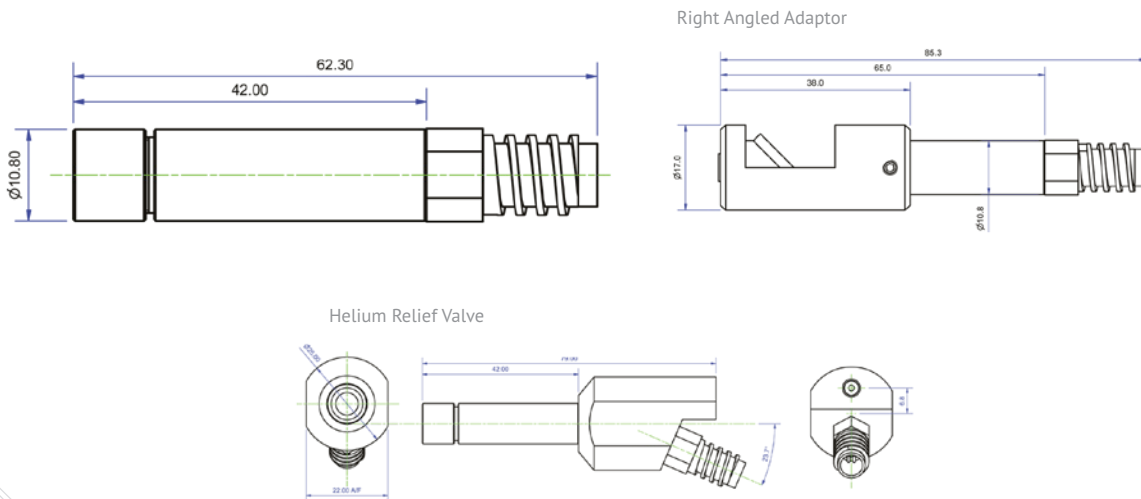
- Ultra-miniature size
- Extremely lightweight
- Optional integral LEDs
- High resolution colour 400 TV lines
- Low light sensitivity 1 lux @ f1.2
- 500m or 6000m rated aluminium housing

L3C-400-MICRO

Ultra-miniature Colour Camera

TECHNICAL SPECIFICATIONS

Electrical	Resolution, Horizontal Limiting Light Sensitivity Sensor Type Signal to Noise Ratio Sensor Scan Mode Voltage Current Composite Video Output LED light illumination	400 TV Lines Horizontal 1 lux @ f1.2 Colour CMOS 36 dB Progressive scan 5 Vdc Camera, 3.3 Vdc lights 120 mA maximum 1.0 V pk-pk, 75ohms - Available with PAL output or as NTSC (L3C-400-MICRO-N) Optional to 200mm maximum working distance (subject to visibility and back reflection)
Environmental	Depth Rating Storage Temperature Operating Temperature Shock	500m, or 6000m option -30°C to +70°C -10°C to +45°C 3 Axis (operating), 30g peak, 6ms half-sine pulse
Optical	Lens Focus Diagonal Angle of View Window	1.2mm / f2.8 30 - 200mm (factory set) 60° in air, 45° in water (40° with RA adaptor) Sapphire Glass
Mechanical	Dimensions Weight in Air Weight in Water Standard Housing Standard Connector Optional Connector	10.8mm (d) x 42.0 (l) (excluding connector) 20g (when fitted with HUMG-5-BCR connector) 15g Grade 5 titanium HUMG-5-BCR GLOBEG-7-BCR



Specifications subject to change without notice.
© 2016 Teledyne Bowtech Ltd. All rights reserved.



www.teledynemarine.com
Email: bowtech_sales@teledyne.com

Head Office
International Avenue,
ABZ Business Park,
Dyce, Aberdeen
AB21 0BH, UK
Tel: +44 (0)1224 772345
Fax: +44 (0)2114 772900

Houston
10661 Shadow Wood Drive,
Houston, TX 77043, USA
Tel: +1 281 710 7276
Fax: +1 281 712 1757