

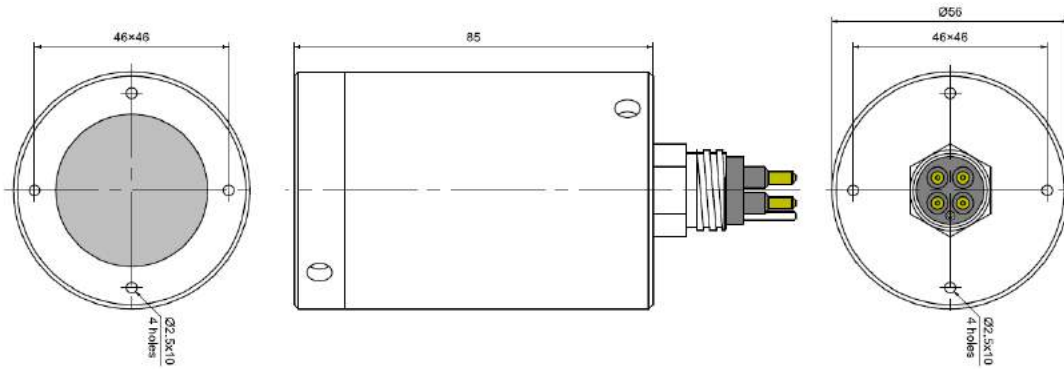
# Ultra-compact Dual Frequency Echosounder Echologger ECT D24S/ ECS D24S/EGT D24

## Specifications

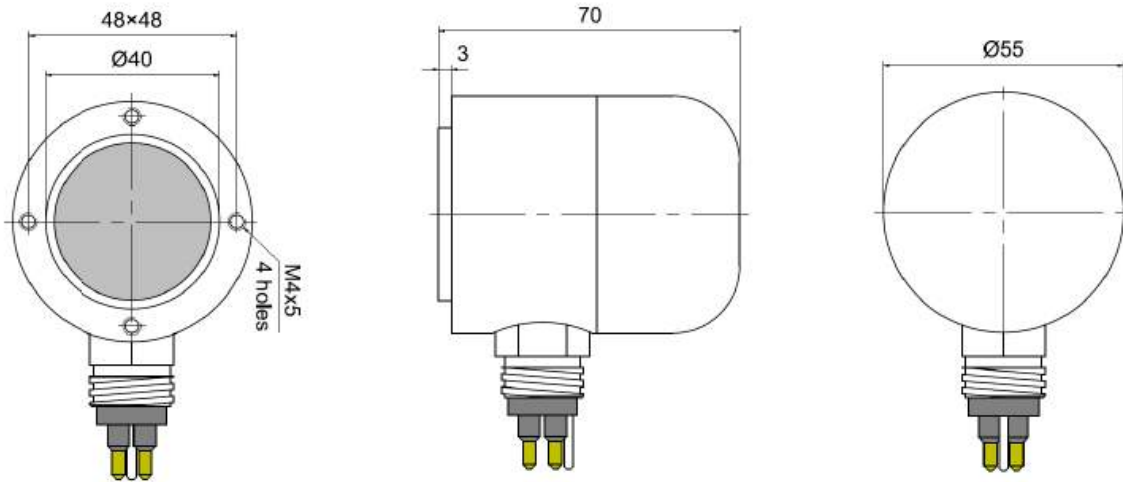
Acoustic Frequency	200 kHz / 450 KHz
Beam width	10° / 5° Conical (-3dB)
Transmit Pulse Width	10µsec ~ 200µsec
Transmit Power	Max. 50 W, adjustable
TVG Control	Up to 60 dB,
Gain Control	-30 dB to +30 dB
Input Signal Attenuator (-20dB)	Activation time 0~300000 µSec
Ranges	0.15 m ~ 200 m (200kHz), 0.15 m ~ 100 m (450kHz)
Repetition (Ping) Rate	100Hz max
Sampling Rate	Max 100kHz; adjustable, or auto mode (default)
Water Column Resolution	Appx. 7.5 mm @100kHz sampling
Altimeter Range Resolution	1.0 mm
Temperature sensor Resolution	0.1°C
Tilt sensor integrated	Dual-axis (Roll & Pitch) ±90°
	Inclination data resolution 0.1°
Synchronization	Outward / Inward (S/W selectable)
Analog Output Interface	1.25V, 2.5V, 5V, 10V max (S/W selectable)
	Distance or Envelope
Digital Output Interface	RS-232, RS-485 (selectable by select pin)
Communication Speed	4800 ~ 921600 baud (115200 baud default)
Data Output Format	Profile 12bit resolution ASCII Text
	Profile 10bit resolution ASCII Text
	Profile 12bit resolution Binary
	Profile 8bit resolution Binary (12bit compressed to 8bit)
	Altitude NMEA0183
	Altitude Simple
Multi node Internetworking (RS485 only)	Up to 32 units
Configuration and Data reading	Echologger Control Program or any Terminal program
Connector	ECT D24S - SEACON MCBH8MSS
	ECS D24S - SEACON MCBH8MSS
	ELT D24S - LTW 12-08PMMS-SH8003
	EGT D24S - Cable Gland
Power supply	10 ~ 75 VDC, 2W max, Internally isolated
Operation Temperature	-10°C +50°C
Operating Depth	1m, 100m, 1000m, 6000m
Housing	ECT D24S – Acetal (100m), Aluminum (1000m, 6000m)

	ECS D24S - Aluminum (100m, 1000m, 6000m)
	EGT D24 - Acetal (1m) IP68
Dimensions	ECT D24S: D56 mm x L85 mm (without connector)
	ECS D24S: D55 mm x L70 mm (without connector)
	EGT D24: D56 mm x L80 mm (without cable gland)
Weight	ECT D24S: 280g (100m version)
	ECS D24S: 320g (100m, 1000m versions)
	EGT D24: 240g (without cable)
Other features	Compatible with many Geo-related commercial softwares (Hypack, HydroPro, Echoview ect.)
	GPS integrated data
	Multi-node networking

<ECT D24S / ECT D24U (S: serial interface (RS232/485), U : USB interface)>



<ECS D24S / ECS D24U (S: serial interface (RS232/485), U : USB interface)>



< EGT D24 (DB9 connector) >

