

SURVEYOR-HD PRO

Ultra-wide Angle Colour Zoom Camera



underwater **vision** specialists

Features

- High Definition 1080p
- Fully Geometric and Chromatic Abberation Water Corrected Optics
- Component, HD-SDI or HD-SDI Over Fibre Output
- 83° Ultra-wide Diagonal Angle of View
- 4,000 or 6,000 Metre Rated Titanium Housing



Description

The Bowtech Products SURVEYOR-HD PRO ultra-wide angle underwater HDTV camera is designed to provide the viewer a greater angle of view, from the standard Surveyor HD, whilst remaining compact and very competitively priced. The camera is ideal for ROV inspection tasks, scientific observation and broadcast applications. Video output is available as HD or HD-SDI over fibre.

The camera is available in a variety of control formats, including the Bowtech Products' GUI, which facilitates the control of all features including white balance, auto tracking and back light compensation, which can be switched on or off using the GUI.

Excellent images are obtained, through the fused silica hemispherical window and the camera is ideal for overall scenes and close-up inspection. The camera uses a remote control setup. The optics are fully corrected for geometric and chromatic aberration.

The camera is housed within a 4,000 metre rated titanium housing, with a 6,000 metre option and has a fused silica hemispherical window.



© Bowtech Products Ltd 2014 All rights reserved.
Bowtech Products Ltd reserves the right to change the above specifications without notice.

T +44 1224 772345
F +44 1224 772900

sales@bowtech.co.uk
www.bowtech.co.uk

Last updated 31st January 2014
Revision: 2

SURVEYOR-HD PRO

Ultra-wide Angle Colour Zoom Camera



underwater **vision** specialists

Specification – SURVEYOR-HD PRO

ELECTRICAL

Image Size:	1920 H x 1080 V, 1280 H x 720 V, 720 V x 576
Sensor Type:	1/2.8-Type Exmor CMOS
Limiting Scene Illumination:	1.7 Lux
Signal to Noise Ratio:	>50dB
Power Consumption:	12V to 24Vdc
HD Video Output:	Component, HD-SDI or HD-SDI Over Fibre Out
HD Format:	1080p/59.94, 1080i/50, 1080p/29.97, 1080p/25, 720p/59.94, 720p/50, 1080p/50, 1080p/59.94
HD Video Output:	PAL & NTSC Composite
Control Options:	Single Wire Tristate, Two Wire Bipolar, RS-232 or RS-485 Input, Remote Control

ENVIRONMENTAL

Water Depth:	4,000m (13,123ft) or 6,000m (19,685ft) Option
Storage Temperature:	-20 to +60°C
Operating Temperature:	-5 to +60°C
Shock 3 Axis: (operating)	30g Peak, 6ms Half-sine Pulse
Vibration 3 Axis: (operating)	10g, 20 to 150Hz

OPTICAL

Optical Zoom:	30:1 4.6mm to 138.0mm focal length
Iris:	Automatic, f1.6 to Close
Focus Control:	10mm to Infinity (wide), 1500mm to Infinity (zoom)
Angle of View:	83° Diagonal
Window:	Fused Quartz Hemisphere

MECHANICAL

Housing Diameter:	138.0mm (5.43") Front Retainer
Length:	252mm (9.92") Excluding Connector
Weight in Air:	5.5kg (12lbs)
Weight in Water:	2.56kg (5.65lbs)
Standard Housing:	Titanium Alloy Grade 5 6AL-4V ASTM B3 48
Standard Connector:	Large Selection of Connectors Available



© Bowtech Products Ltd 2014 All rights reserved.
Bowtech Products Ltd reserves the right to change the above specifications without notice.

T +44 1224 772345
F +44 1224 772900

sales@bowtech.co.uk
www.bowtech.co.uk

Last updated 31st January 2014
Revision: 2

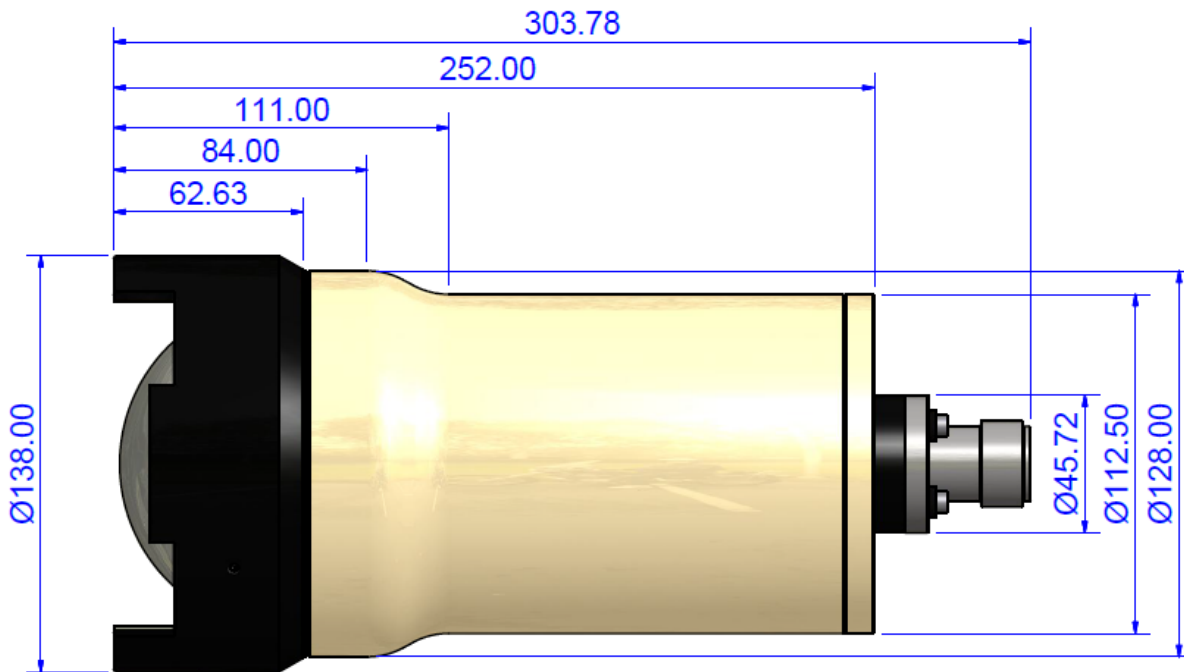
SURVEYOR-HD PRO

Ultra-wide Angle Colour Zoom Camera

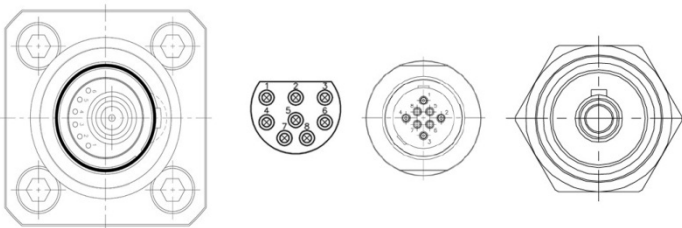


underwater **vision** specialists

Specification



Connector Options



MINL-551506-75OHM6#20-FCR

5506-1508

OPT-8-FCR

OPT-1-FCR

(connector face patterns not to scale)



© Bowtech Products Ltd 2014 All rights reserved.
Bowtech Products Ltd reserves the right to change the above specifications without notice.

T +44 1224 772345
F +44 1224 772900

sales@bowtech.co.uk
www.bowtech.co.uk

Last updated 31st January 2014
Revision: 2